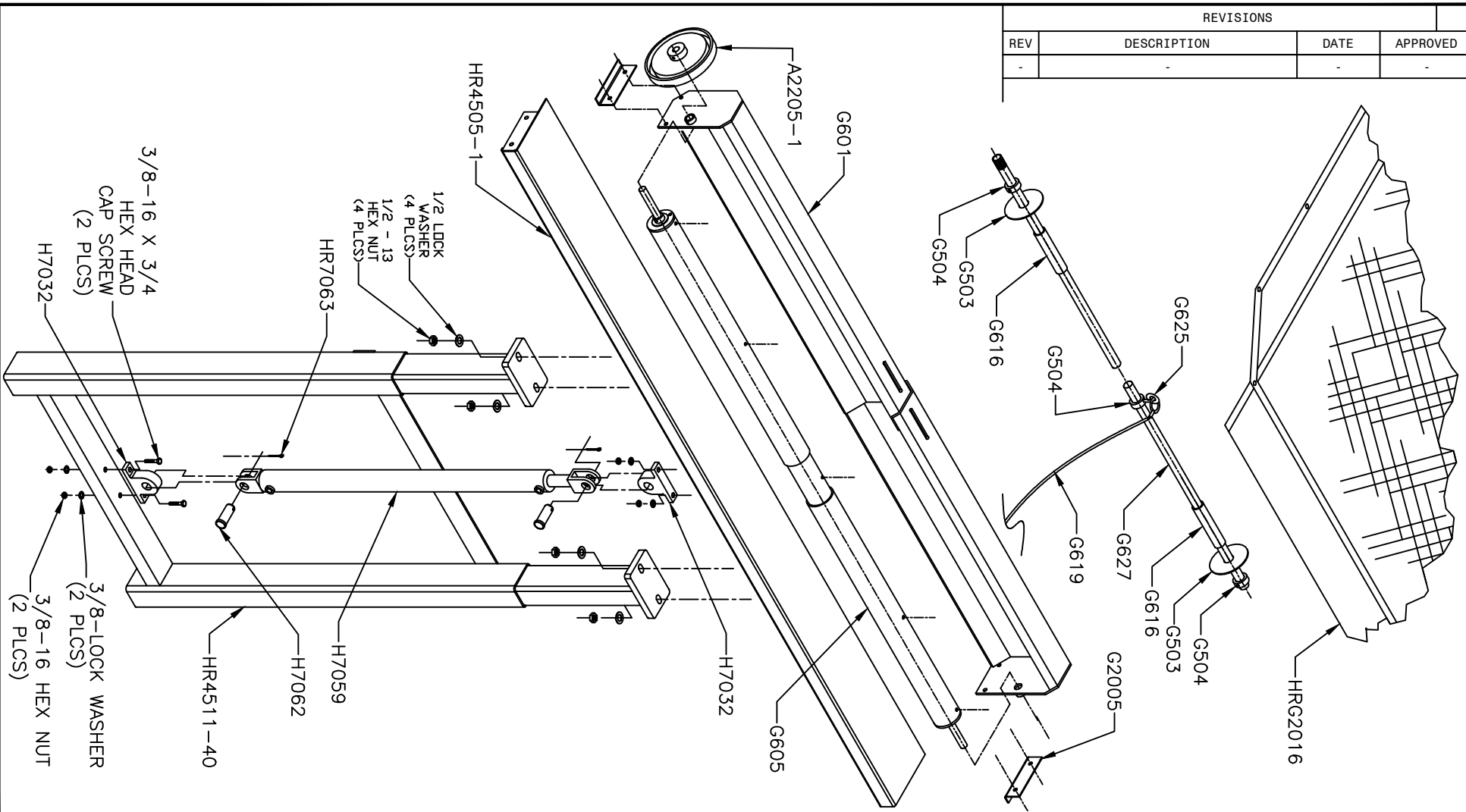


REVISIONS			
REV	DESCRIPTION	DATE	APPROVED
-	-	-	-

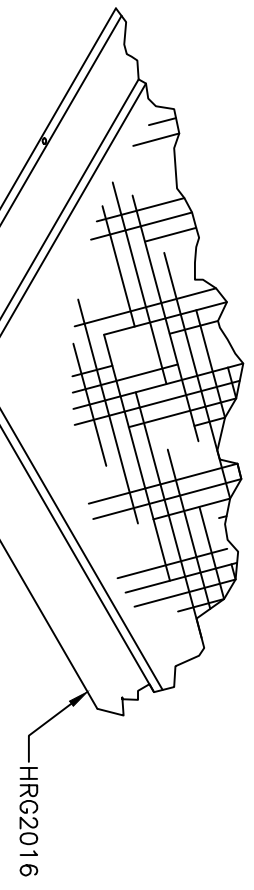


- 3/8-16 X 3/4
HEX HEAD
CAP SCREW
(2 PLCS)
- H7032
- 3/8-LOCK WASHER
(2 PLCS)
- 3/8-16 HEX NUT
(2 PLCS)

- HR4505-1
- 1/2 LOCK
WASHER
(4 PLCS)
- 1/2 - 13
HEX NUT
(4 PLCS)
- HR7063
- H7059
- H7062
- HR4511-40

- A2205-1
- G601
- G605
- H7032
- H7059
- H7062
- HR4511-40

- G504
- G503
- G616
- G504
- G625
- G619
- G627
- G616
- G503
- G504
- G2005



Pioneer, A Wastequip Co.
North Oxford, MA 01537

HR1000 SCHEMATIC	
PART NO. HR1000 SCHEMATIC	DATE
SCALE: NONE	DRW. BY: P.DOAN 4/10/07