



# CRUSHED CAR HAULER INSTALLATION INSTRUCTIONS



# CCH INSTALLATION

Congratulations on your purchase of a Mountain Tarp Crushed Car Hauler tarping system. With tarping systems for dump bodies, transfer trailers, scrap trailers, landscaping trucks and roll-offs, Mountain Tarp offers the most complete line of tarping systems and parts in the industry.

**Note:**

Please read through instructions for entire system and follow instructions thoroughly to ensure your system will work properly. It is important that you inspect your trailer and prepare it for installation by removing any sharp edges or any thing that will cause damage to your tarp.

For further technical assistance, contact our corporate headquarters at (800) 248-7717 or email us at [sales@mountaintarp.com](mailto:sales@mountaintarp.com). For parts and service, visit us at one of our locations in Kentucky, Texas, or Ohio, or contact one of our many dealers nationwide. To learn more about Mountain Tarp and the products we offer, visit us online at [www.mountaintarp.com](http://www.mountaintarp.com).

Headquarters  PO Box 186 1002 N. 15th St. Middlesboro, KY 40965 800-248-7717	Louisa, KY  225 Fallsburg Rd. Louisa, KY 41230 606-686-2117	Monroe, OH  940 Holman Ave. Monroe, OH 45050 513-422-7737	Ravenna, OH  4442 State Rt. 14 Ravenna, OH 44266 330-325-7722	Houston, TX  12245 FM 529 Rd, Houston, TX 77041 888-618-8277	San Antonio, TX  78 Harby Dr. San Antonio, TX 78212 888-618-8277
---	---	---	---	--	---

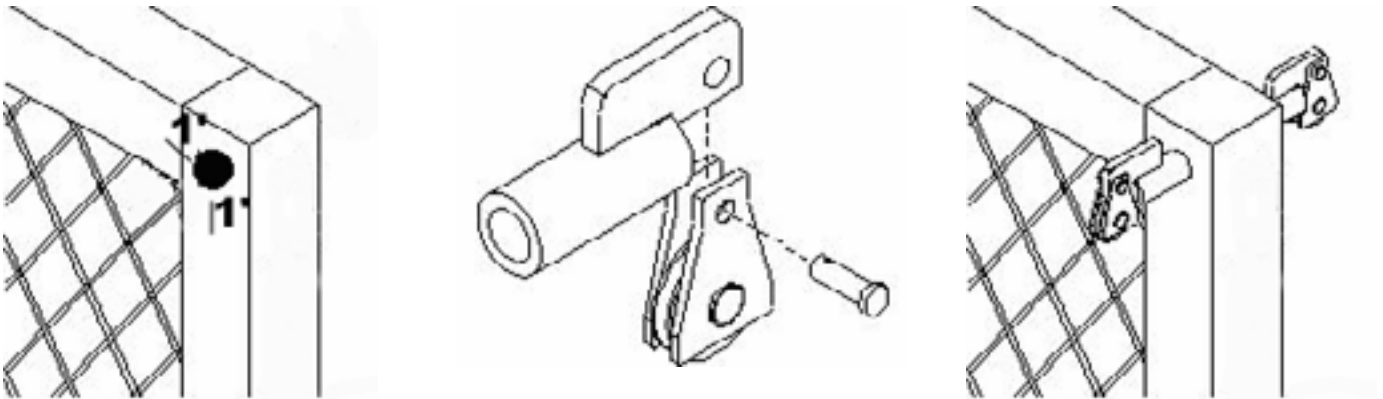
# TABLE OF CONTENTS

Step 1: Front Pulley	3	Step 6: Brackets	8-9
Step 2: Rear Spear Assembly	4	Step 7: Pivot Spear Support Ramp	10
Step 3: Front Handle	5	Step 8: Manual Winch	11
Step 4: Rollers	6	Step 9: Motor Wiring Diagram	12
Step 5: Uprights and Ratchets	7	Step 10: Applying Reflective Tape	13

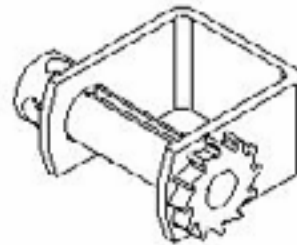
# CCH INSTALLATION

## STEP 1: INSTALLING THE FRONT PULLEY

1A:  
From the top corner of the front bulkhead, measure one inch over and one inch down, and cut a 1 3/8" hole with the center of the hole at this point.. Slide the pulley block into the front and rear of the hole, then track weld.

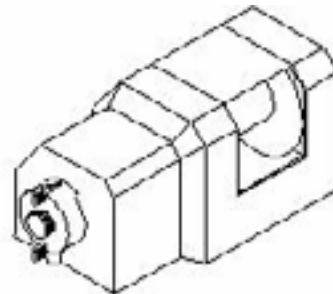


1B:  
From the bottom corner of the bulkhead, measure two to three inches up and over, and weld the motor mount plate provided so that the bottom corner. Mount the winch at a slight angle (about eleven o'clock for the passenger side and about one o'clock for the driver side) so that the cable will run in a straight line from the pulley at the top of the bulkhead to the winch.



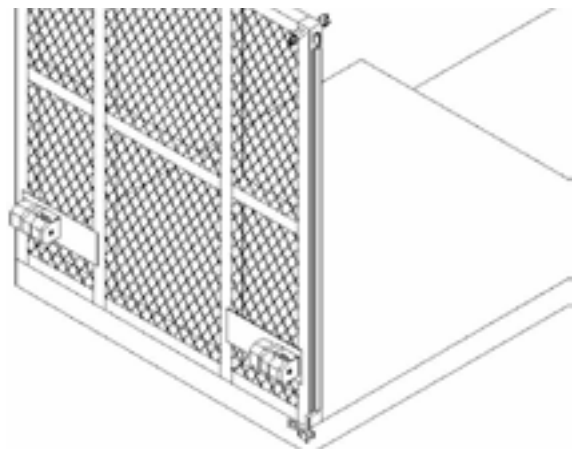
Manual  
See page 11

Run the winch cable (with hook) through the pulley from the rear toward the front and then down to the winch. Connect the cable to the winch and wind some of the cable onto the winch. Next, turn the pulley at the top of the bulkhead, so the cable will align properly, and weld the pulley block into place.



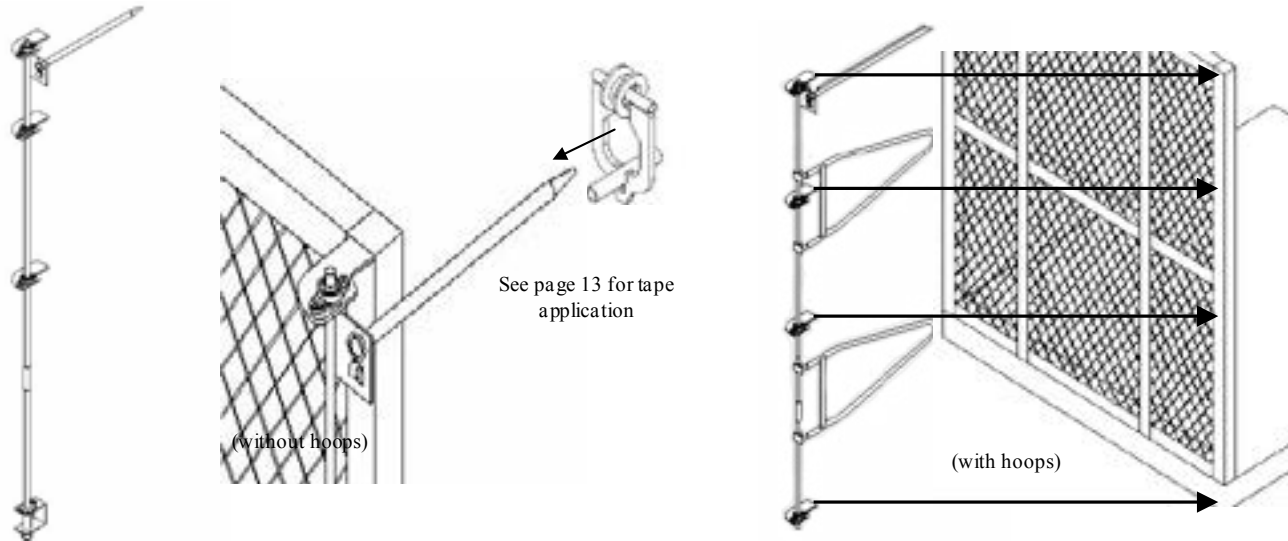
Electric  
See page 12 for wire diagram

1C:  
Install the switch onto the winch and run the wire from the winch to the center of the trailer across front bulkhead, using the rubber coated clamps provided to hold the wires to the trailer. Connect the wire end to the disconnect provided and then run the remaining wire from the disconnect to the battery. (If your trailer requires a tarp system for each side, do not connect the wire to the disconnect until both motors are installed, so the motors can be wired together and then connected to the disconnect).



# CCH INSTALLATION

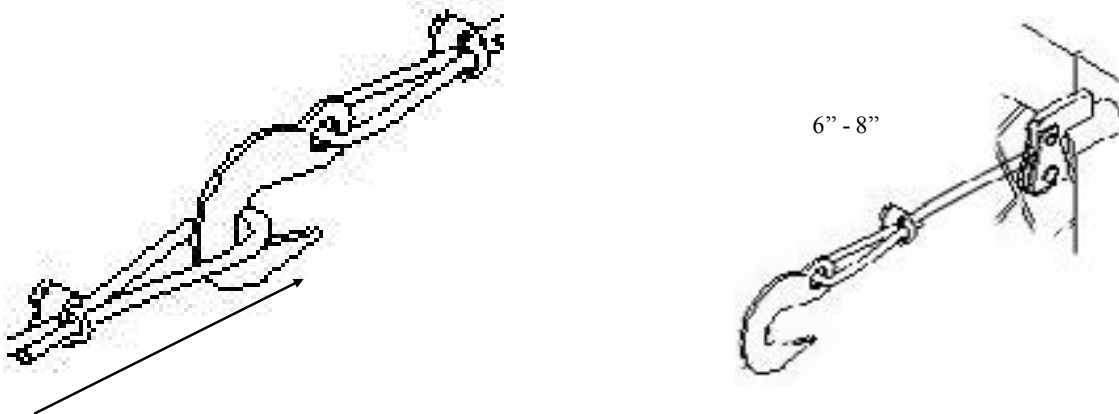
## STEP 2: INSTALLING THE REAR SPEAR ASSEMBLY



2A:  
Weld the top part of the hinge assembly to the back of the rear bulkhead so the top of the top swing plate is flush with the top of the bulkhead, and the outside of the swing plates are flush with the outside of the bulkhead, (The bearing side of the “L” shaped swing plate should be to the outside).

2B:  
Connect the bottom part of the hinge assembly to the coupler on the bottom of the cold roll on the top part of the assembly. Then, slide the weld-on strap winch onto the cold roll at the bottom. Next, mount the weld-on winch to the rear of the trailer so that the top of the winch is below the floor of the trailer. (It may be necessary to cut or shim the winch so that it lines up directly with the cold roll). Cut off the excess cold roll at the bottom of the assembly.

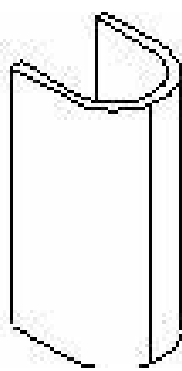
When installing spear, make sure the 2” tab is facing the side of the rear bulkhead. Then tighten the jam nut.



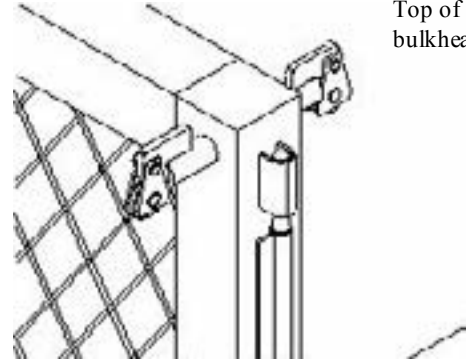
2C:  
Adjusted the winch cable so the hook is 6” to 8” from the front bulkhead.

# CCH INSTALLATION

## STEP 3 : INSTALLING THE FRONT HANDLE

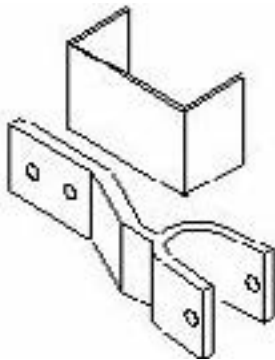


Handle Bracket

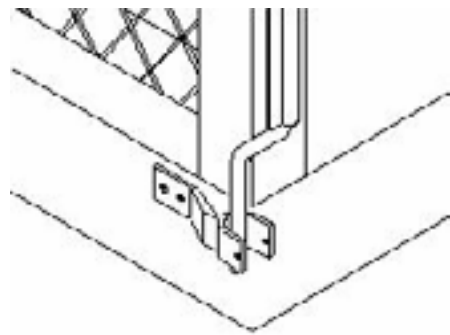


Top of front bulkhead

3A:  
Weld the top handle bracket to the top outside of the front bulkhead so that the top of the bracket is at the top of the bulkhead.



“Y” bracket



3B:  
Mount the retaining “Y” hook assembly to the bottom corner of the front bulkhead by welding the four inch piece of channel to the bulkhead and bolting the retaining “Y” hook to the channel. The retaining “Y” hook should be mounted so that the ends of the “U” shape in the “Y” hook are near the outside edge of the trailer and the top of the “Y” hook is below the floor of the trailer. (The “Y” hook should be mounted so that the “L” shape end of the tarp handle can be pinned inside the “Y” hook).

3C:  
After the “Y” hook is mounted, place the “L” shaped end of the tarp handle into the “J” hook and pin in place. Hold the handle up next to the previously installed handle bracket and make a mark on the handle two inches below the bottom of the bracket.. Cut the handle at the mark.

After the handle is cut, slide the piece of cold roll provided into the top end of the handle and adjust so that the cold roll is protruding by about six inches. Next, weld the cold roll to the handle.

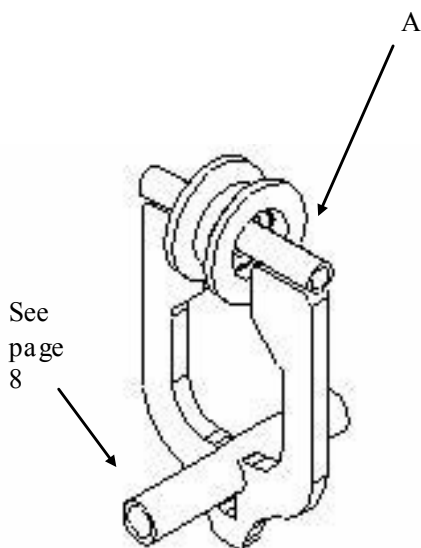
# CCH INSTALLATION

## STEP 4 : INSTALLING THE ROLLERS



4A:  
Unroll the tarp and place it on the trailer so that the front of the tarp (the end with the handle in it) is at the front of the trailer and the rear of the tarp (with the pocket in it) is at the rear of the trailer. Slide the handle into the pocket in the front of the tarp so that the “L” shaped end of the handle is at the bottom. See above.

4B:  
Turn the handle in the pocket so that the “L” shape is toward the front of the trailer. Adjust the handle so that the bottom of the tarp is at the top of the “L” shape in the handle. After the handle has been adjusted properly in the pocket, fasten the tarp to the handle using the TEK screws provided.



4C:  
Thread the front end of the main cable through the cable rollers (A), below the spool, beginning with the rear slide and going forward. Make sure the roller can sit on the cable. Every 3 to 4 rollers insert the top half of a upright so they are evenly spaced.

4D:  
After the cable is through all the slides, loop the cable around the hook at the end of the winch cable and clamp, using the cable clamps provided, then cut and discard the excess cable. (It may be necessary to mark the main cable, then unwind the winch cable to get the tarp down on the trailer, then attach the main cable to the winch cable). Tighten the winch until the cable is tight, but do not over-torque the winch.

4E:  
At each open grommet at the top of the tarp, hook each roller into place. Then, with the tarp connected to the cable, the front pole locked into place and the cable tight, slide the aluminum strip provide into the pocket at the rear of the tarp. Cut the strip to the same size as the pocket then bolt the tarp and aluminum strip to the side of the rear bulkhead. (If tarp is too long, rotate the aluminum strip to take up slack and refasten to the bulkhead).

# CCH INSTALLATION

## STEP 5 : INSTALLING THE UPRIGHTS AND RATCHETS

Top half



Bottom half



5A:

Connect the bottom half of the side stake to the top and place the bottom into the corresponding steel pocket. Then adjust the height of the stake so that the top of the square tube is even with the top of the tarp. (The bottom of the cable slide should be just touching the bottom of the cable). Then bolt the top and bottom of the stake together.

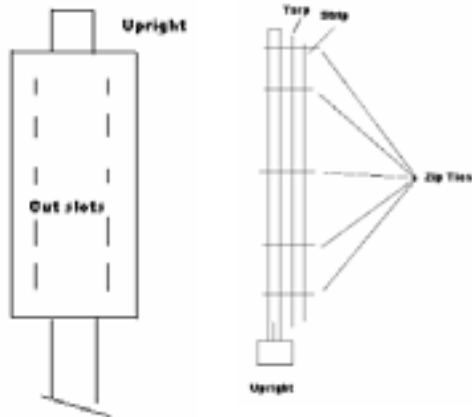
5B:

Fasten the tarp to the stake using the zip ties provided. First, cut small slits in the tarp at each of the four slots in the gusset on the bottom of the stake. Then, cut a small slit on each side of the stake at every strip of webbing and at every seam where the tarp material has been fused together. Slide the zip ties through these slits and around the stake and connect the ends. (Do not restrict the cable inside the web pockets, they must be able to slide in pockets). Then, bolt the tarp to the stake at the very top under the slide, so the cable is in the

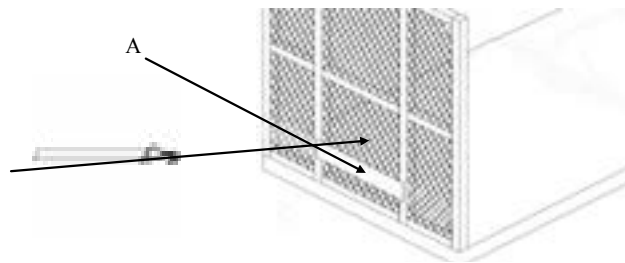
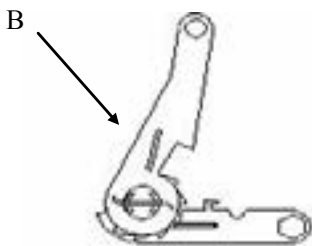
middle of the hanger and not touching the roller or sides.

5C:

With the tarp tight, and all uprights in place, take the vinyl strips (with zip ties) and secure the tarp to the upright. Sandwich the tarp between the vinyl and the pole, then zip tie in place. Do this on all uprights.



**Take the strip of vinyl and sandwich the tarp between the upright pole and the vinyl strip. Then cut small holes in the strip (on the sides) so you can pull zip ties through and wrap the zip ties around the upright to hold the tarp in place.**



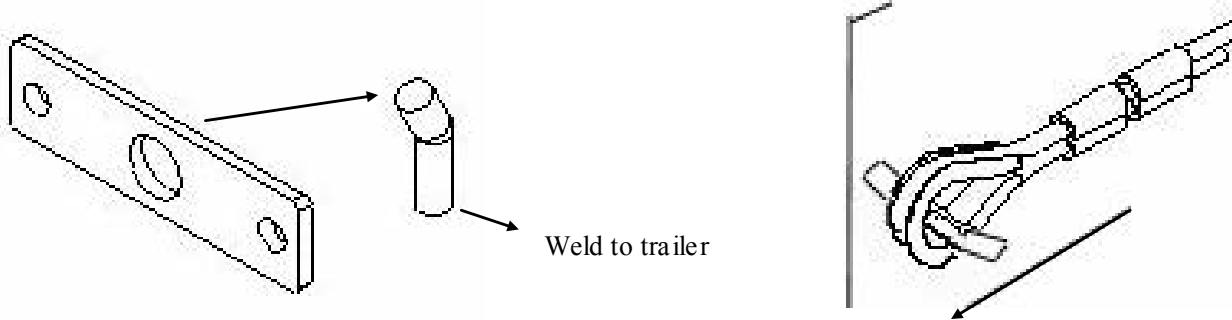
5D:

Mount the ratchet bracket (A) on the back of the rear bulkhead near the center of the bulkhead and even with each of the two cable pockets on the bottom of the tarp.



# CCH INSTALLATION

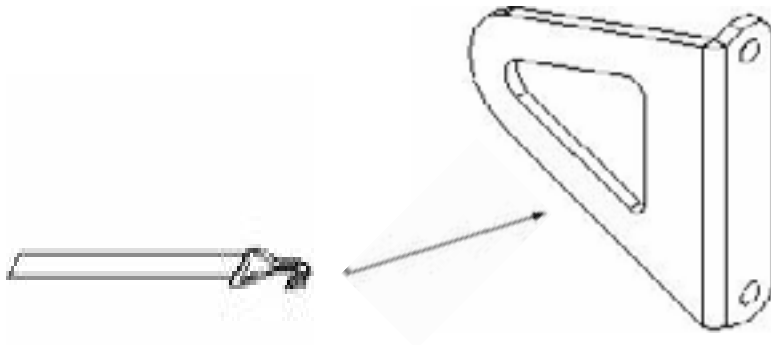
## STEP 6 : INSTALLING THE BRACKETS



6A:

For single drop and double drop decks, do the following:

Weld the front cable hook (cold roll) to the drop deck at the front of the trailer even with the bottom cable pocket. The hook should point toward the front of the trailer. (see above)



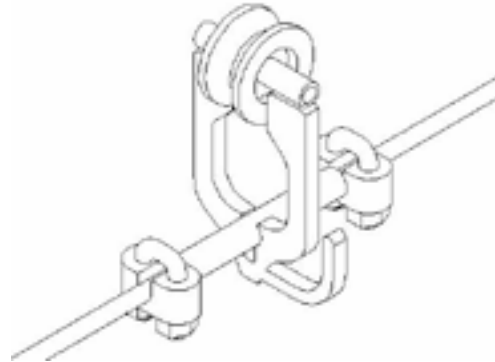
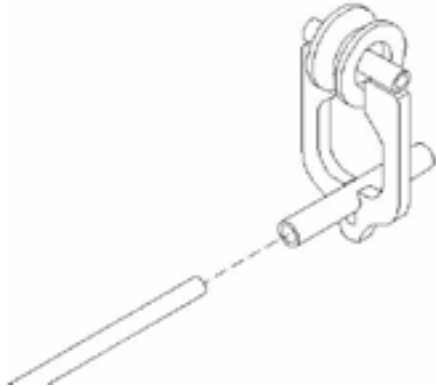
6B:

Attach the straps provided to the ratchets on the back of the rear bulkhead. Then, connect the hooks on the end of the straps to the steel triangle plates on the end of the cables. Tighten the ratchet straps.



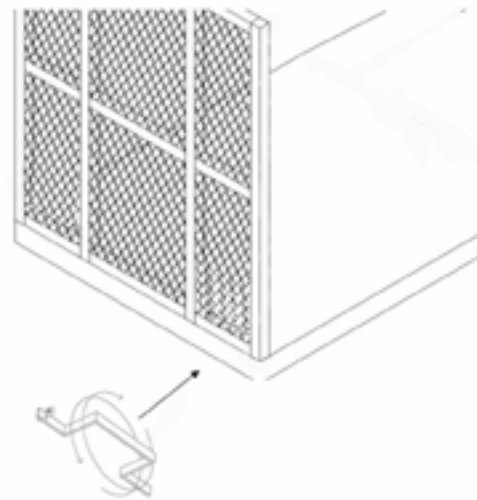
# CCH INSTALLATION

## STEP 6 : INSTALLING THE BRACKETS CONT.



P/N  
CCH0272

6C:  
Lace 1/4" cable through rollers, make sure there is enough cable to come down to the top of the deck. At the front of the system, make a loop so your hand can fit in and clamp it. This is to help pull the tarp closed. At the front pulley, with the tarp closed and locked in place, put a clamp on each side with the nuts down facing the tarp. At the back end of the cable use the thimble to loop the cable and use two clamps to hold it.



6D:  
When all is done, take the cleat and weld it to the rear of the trailer (it doesn't matter if it is upright or lengthwise) so the tarp does not interfere with the cleat. This cleat stores your cables when the tarp is open. Use the clip to hold the end of the return cable.

*Once your Mountain Tarp CCH system is installed, it is best to store your tarp in the open position with the tarp(s) strapped in place to keep tarps from ripping when driving empty.*

# CCH INSTALLATION

## STEP 7 : INSTALLING THE PIVOT SPEAR SUPPORT RAMP

P/N CCH0279

7A:

Rotate rear assembly to the rear of the trailer. Weld the ramp to the rear bulkhead with the inside edge of the ramp flush with the beginning of the conical end of the spear, *see figures 1-3 below.*

Figure 1

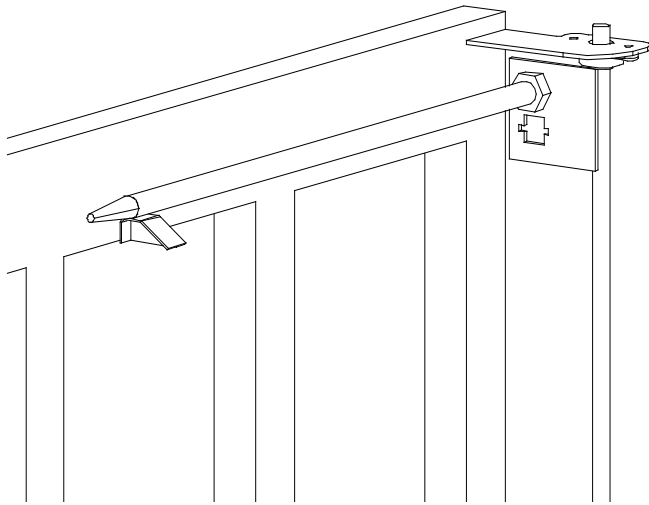


Figure 2

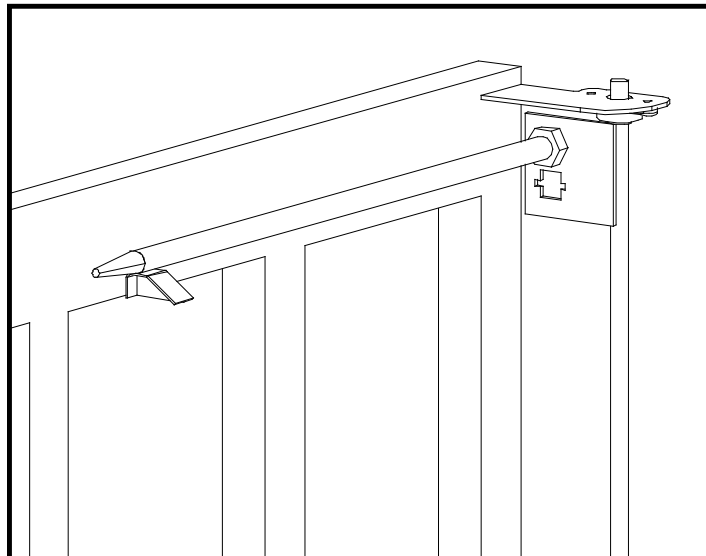
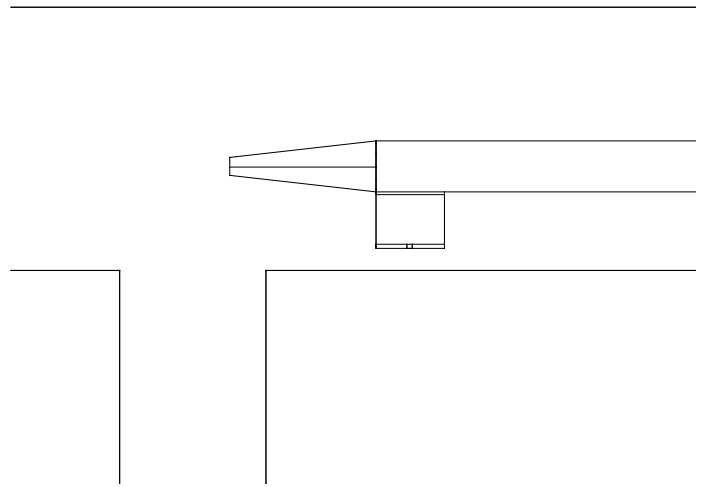


Figure 3

# CCH INSTALLATION

## STEP 8 : INSTALLING THE MANUAL WINCH

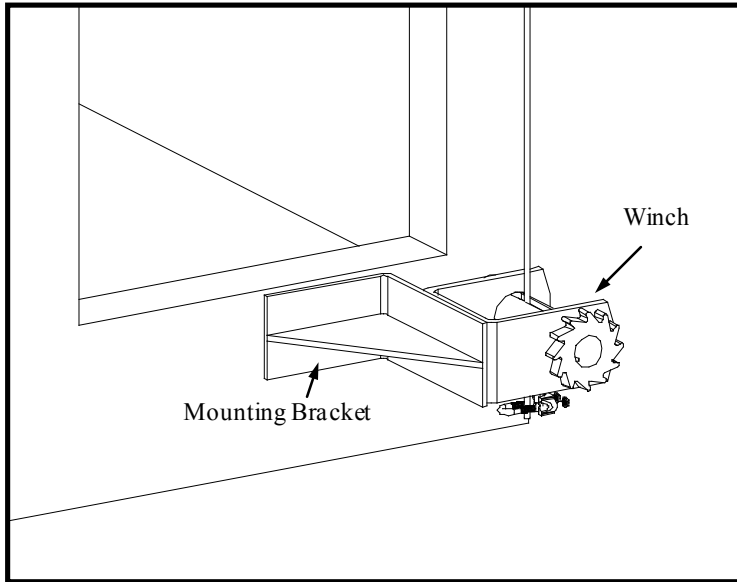


Figure 1

8A:  
Weld the mounting bracket to the bottom front of the trailer so that the winch spool will be directly below the pulley block. Then, weld the winch to the mounting bracket with the winch ratchet facing away from the trailer, *see figure 1.*

8B:  
Thread the cable through the slot in the winch spool. Install a cable clamp onto the end of the cable to prevent the cable from pulling back through the winch, *see figure 2.*

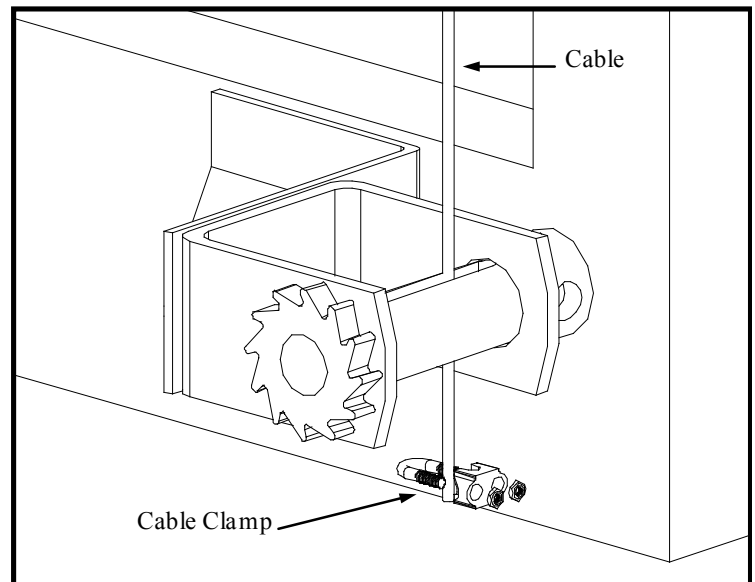


Figure 2

# CCH INSTALLATION

## STEP 9 : MOTOR WIRING DIAGRAM

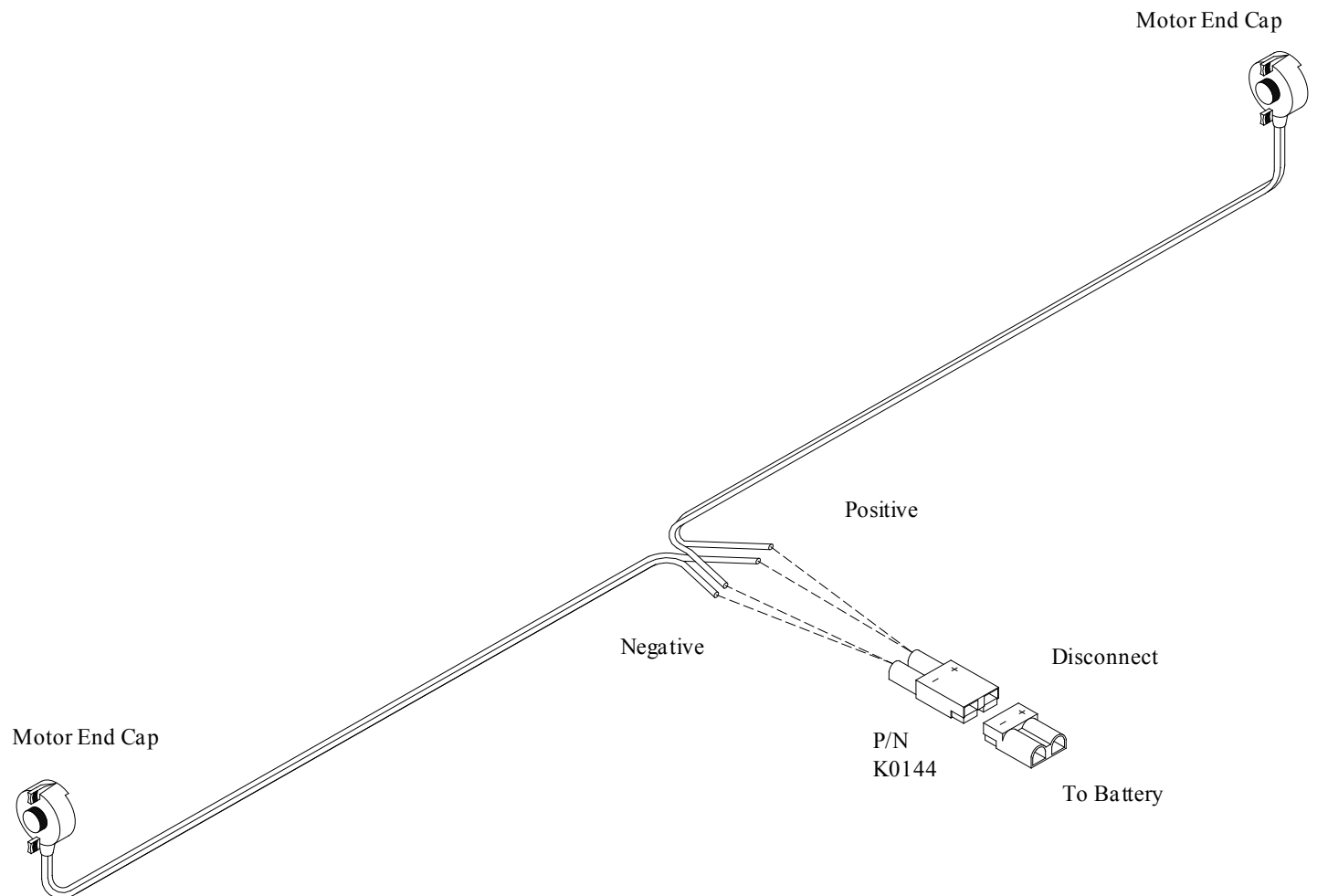
9A:

Wire should be fastened to the front of the bulkhead using the wire clamps provided in the electric bag.

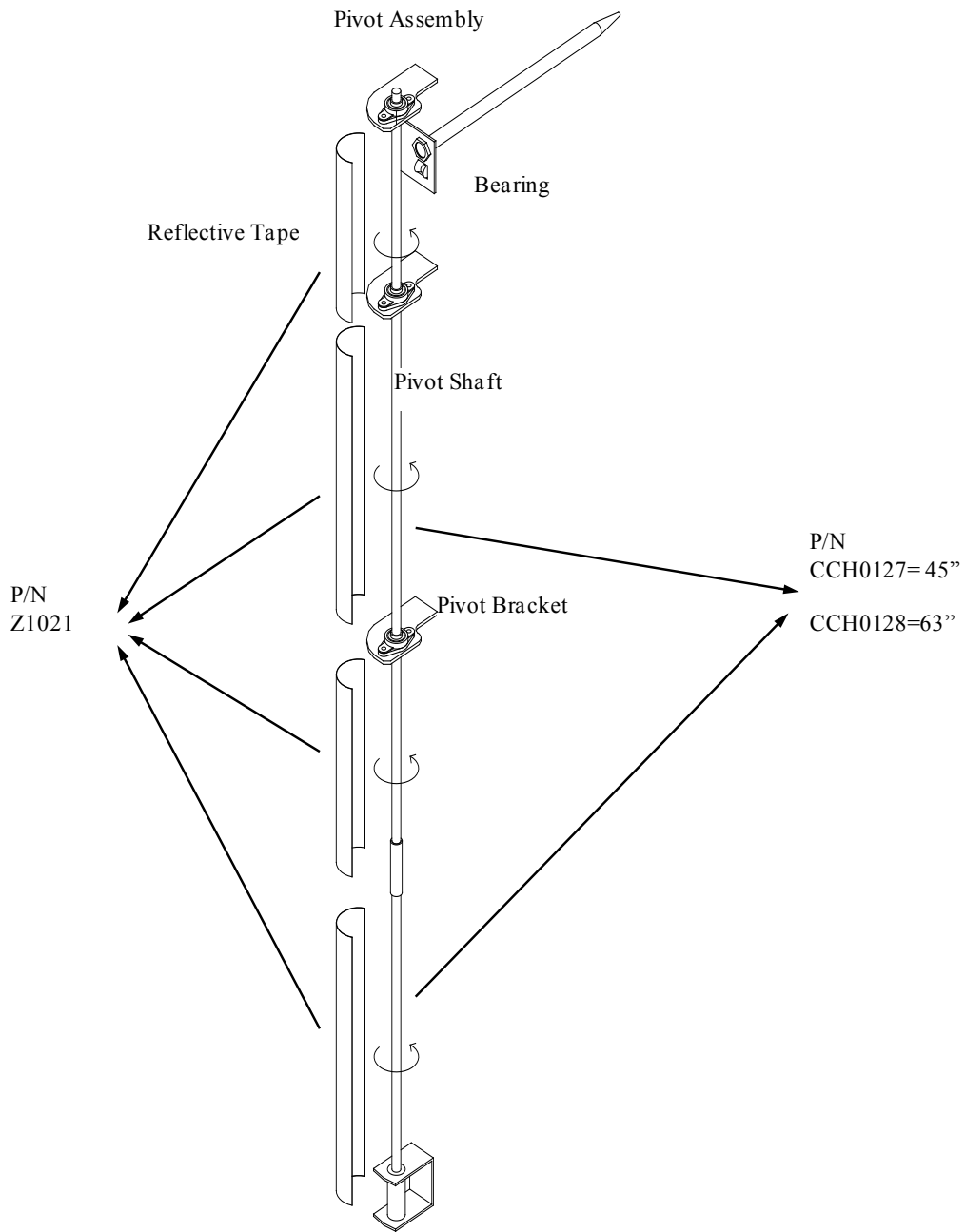
Winches should be wired together (positive to positive, negative to negative) then connected to the disconnect.

Wire should be run from the disconnect to the battery.

- The double breaker should be installed in the wiring between the disconnect and the battery, somewhere near the battery.



# CCH INSTALLATION



## STEP 10 : APPLYING REFLECTIVE TAPE

10A:  
Allow the metal to cool after welding the top and bottom halves of the pivot assembly together.

Cut the tape into sections, each one the length of a different section of the shaft.

Clean the shaft to remove oil and debris, then wrap the tape around the shaft as shown above.