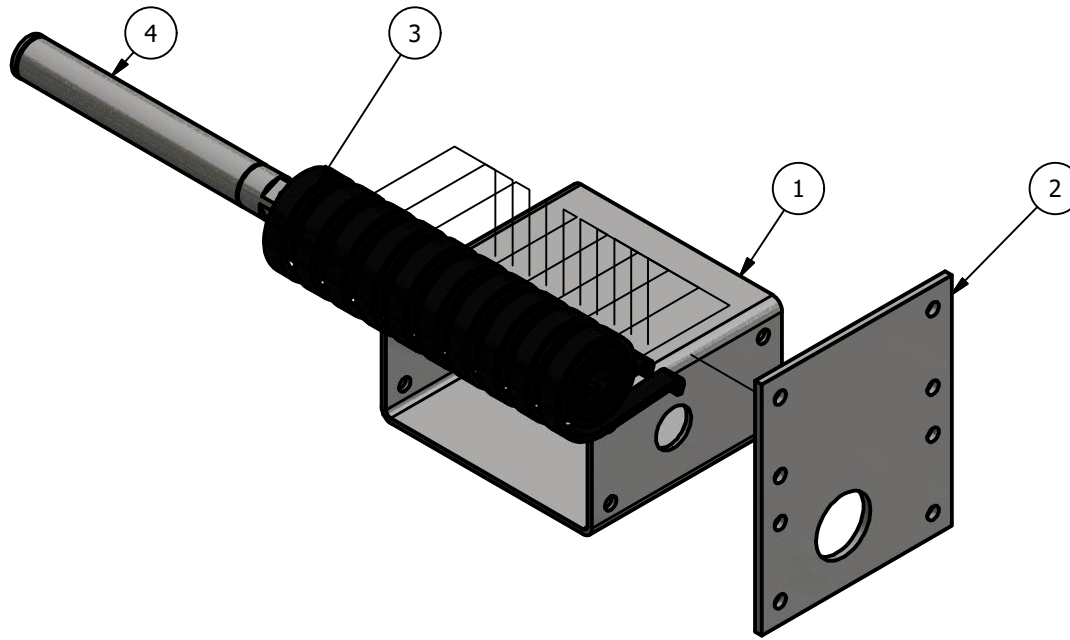


PARTS LIST			
ITEM	QTY	PART NUMBER	DESCRIPTION
1	1	13871	TRANSFER TUBE HOUSING
2	1	14214	UNDERBODY MOUNTING PLATE FOR RECTANGULAR SPRING HOUSING
3	10	11121	SPIRAL TORSION SPRING
4	1	13872	10 TRANSFER SHAFT - 22.5 DEG, RIGHT



PART NUMBER 15034		US TARP PO BOX 935 SOUTH HAVEN, MI 49090 (800)-249-0297 USTARP.COM
MATERIAL ALUMINUM UNDERBODY SYSTEM		SIZE A
DRAWN MK	DATE	SCALE 0.2 : 1